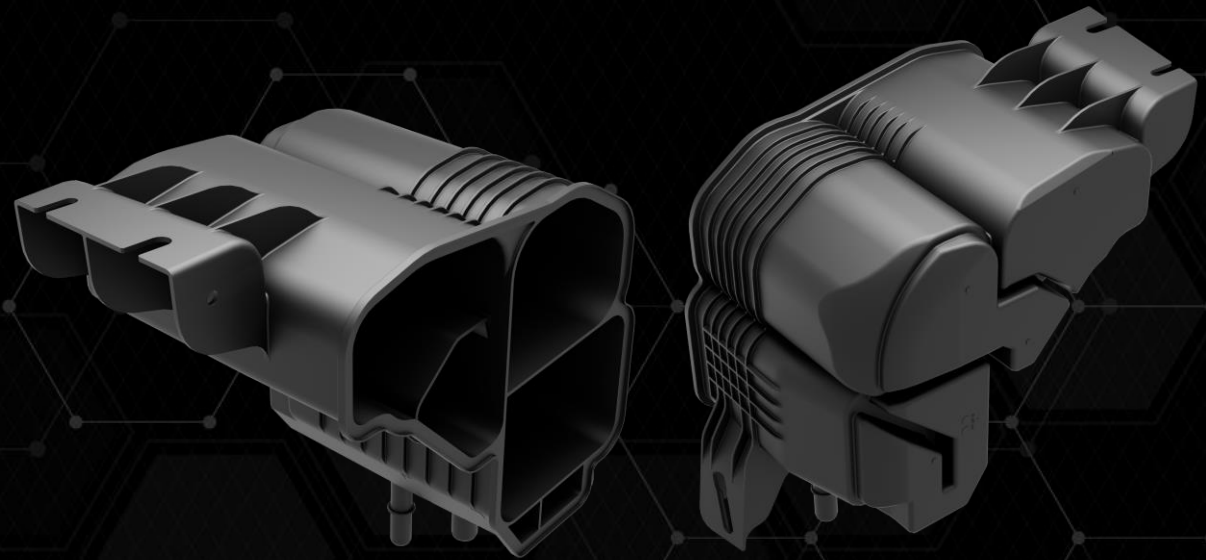


PRECISION PARTS



DRIVEN BY EXPERIENCE
AND INNOVATION

ABOUT US

100%

Family-owned

5

Operation locations

HQ

Location-Požega,
Serbia

20.000+

Sqm factory
and office space

2006

Founding year

20%

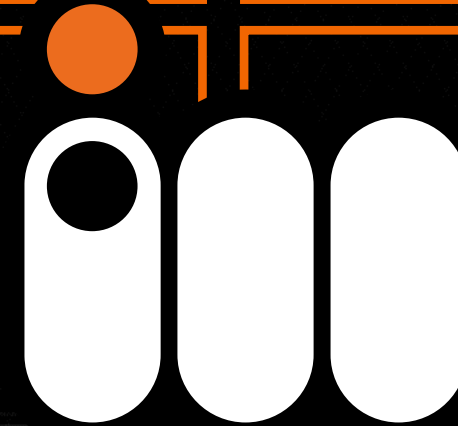
Average annual
growth

35+

Years of injection
molding experience

40+

Countries we have
completed projects in



INMOLD
G R O U P

PTT INMOLD

EMPLOYEES



34

Average age



80+

Mechanical engineers



25+

Mold designers



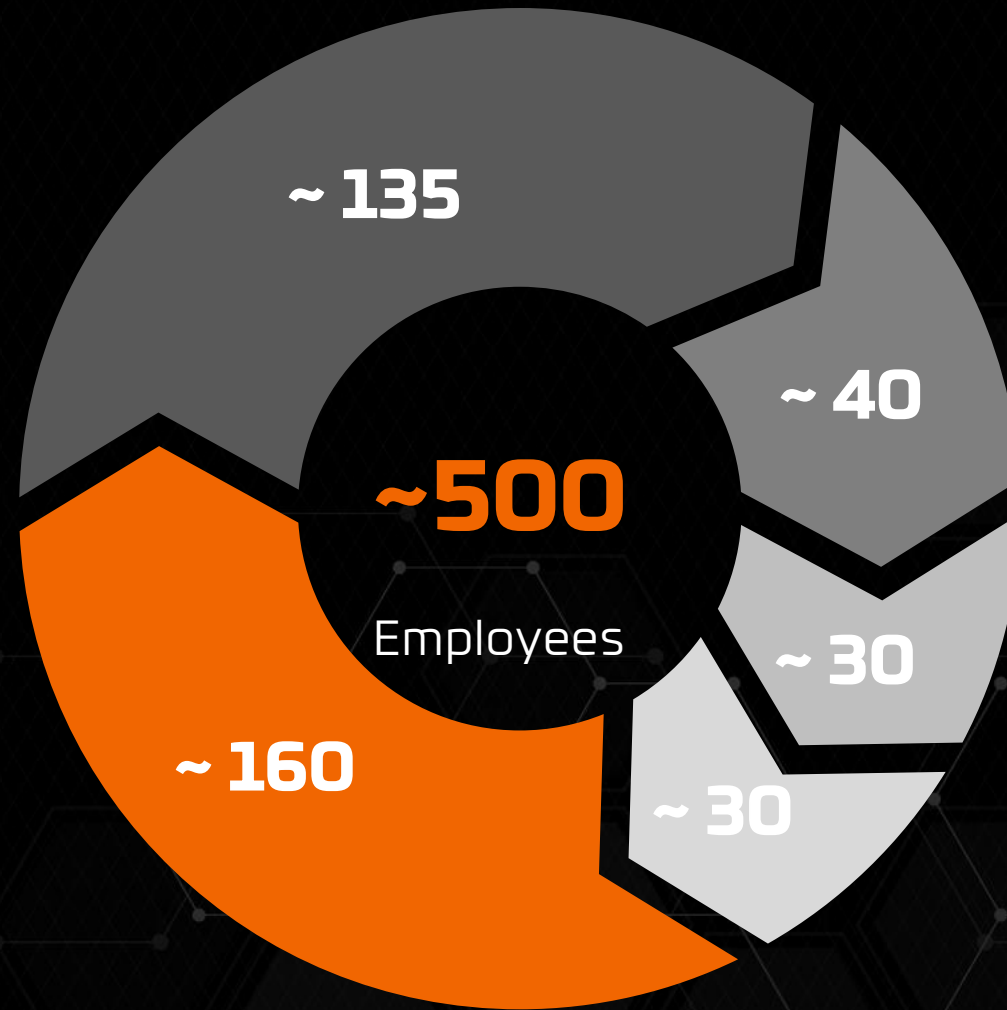
10+

University Apprentices



30+

Highschool Apprentices



■ Tool Shop ■ Injection Molding ■ Automation ■ Administration ■ Other Sector

DEPARTMENTS

PACKAGING

Molds and IML automation for plastic packaging (food, chemicals, medical, etc.)



CONTRACT MACHINING

Machining of big components, welding, painting, assembly (rail industry, machine building industry)



INJECTION MOLDING

Injection molding and post-injection operations (automotive, electronics, construction, etc.)



SERVICES AND REPAIR

Mold repair, spare parts production, mold optimization, etc.



PRECISION PARTS

Complex 1K, 2K molds for precision parts (automotive, electronics, etc.)



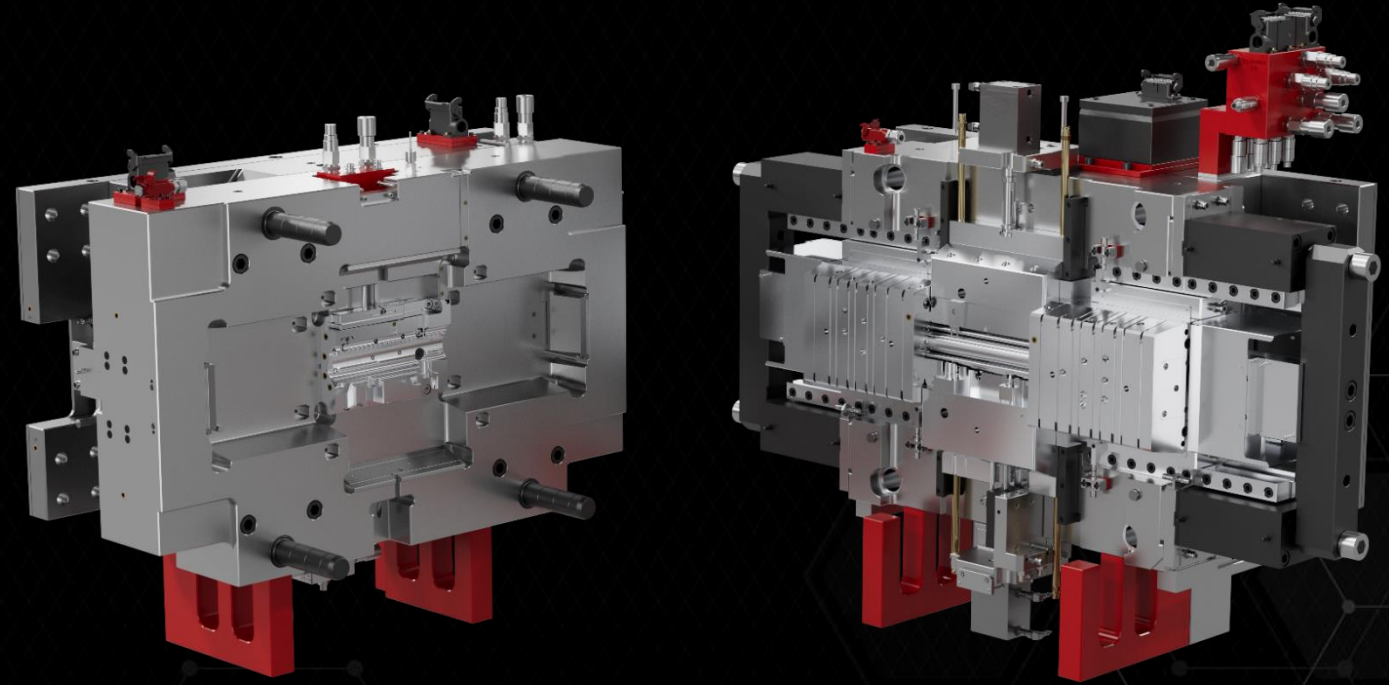
PRECISION PARTS

In-house activities:

- Product development
- Mold-Flow analysis
- Mold design
- Mold production
- Mold testing
- Product validation
- Reliable partners for Mold Flow Analysis
- Reliable partners for different kinds of coatings

Technologies:

- High-precision parts
- 2K collapsible cores
- 3D printing technology
- High-performance coatings
- End-Of-Arm tooling
- Insert molding



GREEN AGENDA

THE NEXT STEP - CO2 NEUTRALITY

- An ambitious team has been formed
- Motivation and ambition towards CO2 neutrality
- A green transition development and implementation in our company
- Supported by the Serbian Chamber of Commerce.



THANK YOU FOR YOUR ATTENTION

Inmold Group d.o.o.

Knjaza Miloša 70
31210 Požega, Serbia

office@inmold-ltd.com
www.inmold-ltd.com



 **INMOLD GROUP**

